

2 Section Wardrobe

**ASSEMBLY INSTRUCTIONS**

- ASSEMBLE ON A LEVEL, CLEAN SURFACE •
- TWO PERSON ASSEMBLY RECOMMENDED •

**WHITE MATT FINISH**

220cm H | 120cm W | 58cm D

**CARE CAUTION:** TO CLEAN PARTICLE BOARD WITH MELAMINE FINISH, PLEASE CLEAN WITH A SOFT, DRY CLOTH. DO NOT USE CHEMICALS OR DETERGENTS AND AVOID WATER AND DIRECT SUNLIGHT.

**⚠ WARNING: Tip-over hazard.**



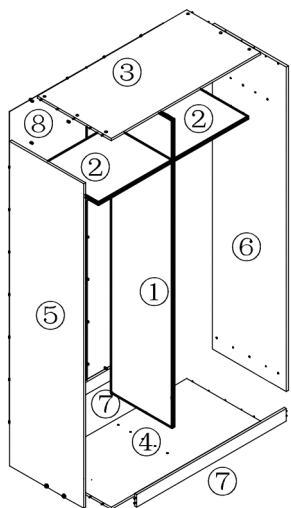
**⚠ WARNING:** It is **STRONGLY RECOMMENDED** that you **ANCHOR** this product by installing an **ANTI-TIP BRACKET** and **SCREWS** (sold separately by 3rd Party bracket makers) and **ATTACHING** the *Faulkner 2 Section Wardrobe* to a **SOLID, FLAT WALL**.

**⚠ DANGER: TOPPLING FURNITURE CAN CAUSE SERIOUS INJURIES AND DEATH.**

**IMPORTANT:** Regularly check that Anti-Tip Bracket and Screws are securely maintained. Stability of tall items may be affected by thick carpets and uneven floors, or uneven and unstable walls.

**SAFETY:** Carefully check for any electrical wires or plumbing inside the wall before drilling any holes (If unsure, contact a qualified Tradesman).

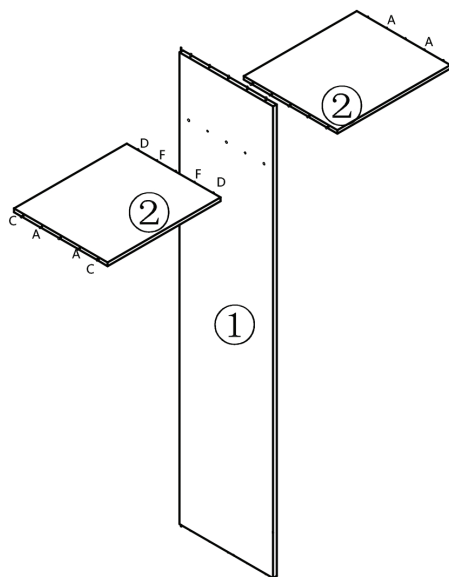
Walls are constructed from different materials (i.e: Masonry = Solid Wall, Plasterboard = Hollow Wall) so it is important to use appropriate wall fixings and screws for your wall type. Your local Hardware Store will stock the necessary extra screws, drill bits and fixings, and can offer suitable advice if needed. **DO NOT** place TV Sets or other heavy objects on top of this Unit. **DO NOT** overload the shelves of this Unit. **NEVER** allow children or adults to climb or hang on this Unit.



**ASSEMBLY:**

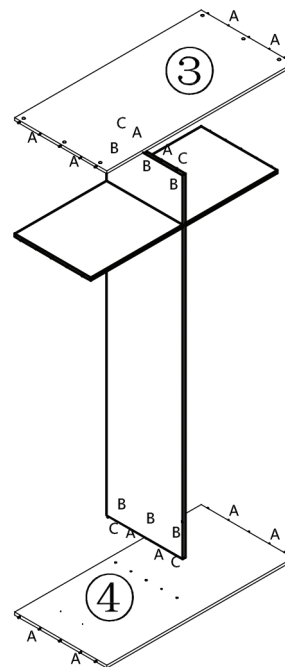
STEP

1



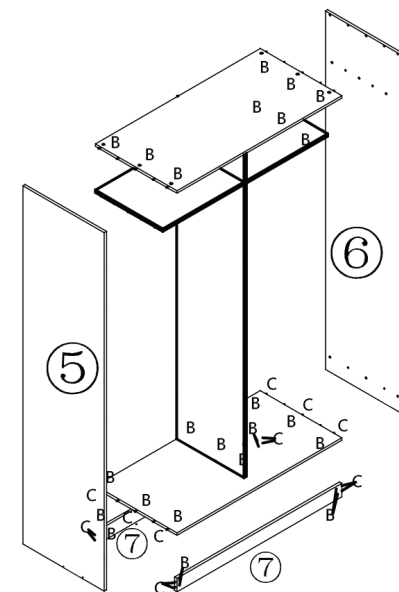
STEP

2



STEP

3

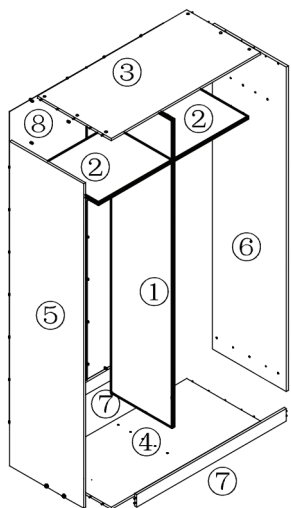


ID	DIAGRAM / DESCRIPTION	Qty
A		16
B		34
C		30
D		2
E		28
F		2
G		4
H		2
I		14

2 Section Wardrobe

**ASSEMBLY INSTRUCTIONS**

- ASSEMBLE ON A LEVEL, CLEAN SURFACE •
- TWO PERSON ASSEMBLY RECOMMENDED •



ID	DIAGRAM / DESCRIPTION	Qty
A		16
B		34
C		30
D		2
E		28
F		2
G		4
H		2
I		14

**WHITE MATT FINISH**

220cm H | 120cm W | 58cm D

**CARE CAUTION:** TO CLEAN PARTICLE BOARD WITH MELAMINE FINISH, PLEASE CLEAN WITH A SOFT, DRY CLOTH. DO NOT USE CHEMICALS OR DETERGENTS AND AVOID WATER AND DIRECT SUNLIGHT.

**⚠ WARNING: Tip-over hazard.**



**⚠ WARNING:** It is **STRONGLY RECOMMENDED** that you **ANCHOR** this product by installing an **ANTI-TIP BRACKET** and **SCREWS** (sold separately by 3rd Party bracket makers) and **ATTACHING** the *Faulkner 2 Section Wardrobe* to a **SOLID, FLAT WALL**.

**⚠ DANGER: TOPPLING FURNITURE CAN CAUSE SERIOUS INJURIES AND DEATH.**

**IMPORTANT:** Regularly check that Anti-Tip Bracket and Screws are securely maintained. Stability of tall items may be affected by thick carpets and uneven floors, or uneven and unstable walls.

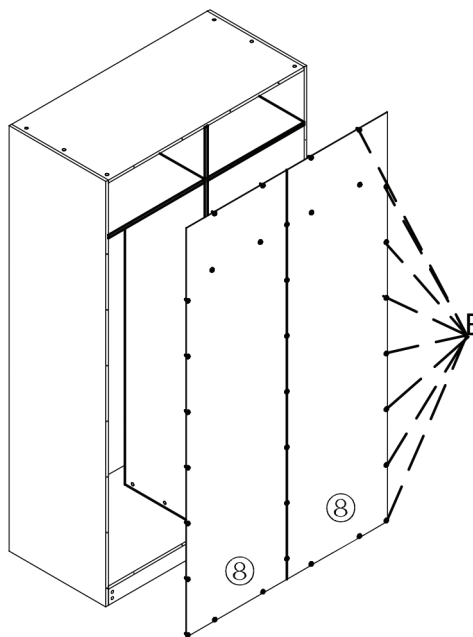
**SAFETY:** Carefully check for any electrical wires or plumbing inside the wall before drilling any holes (If unsure, contact a qualified Tradesman).

Walls are constructed from different materials (i.e: Masonry = Solid Wall, Plasterboard = Hollow Wall) so it is important to use appropriate wall fixings and screws for your wall type. Your local Hardware Store will stock the necessary extra screws, drill bits and fixings, and can offer suitable advice if needed. **DO NOT** place TV Sets or other heavy objects on top of this Unit. **DO NOT** overload the shelves of this Unit. **NEVER** allow children or adults to climb or hang on this Unit.

**ASSEMBLY:**

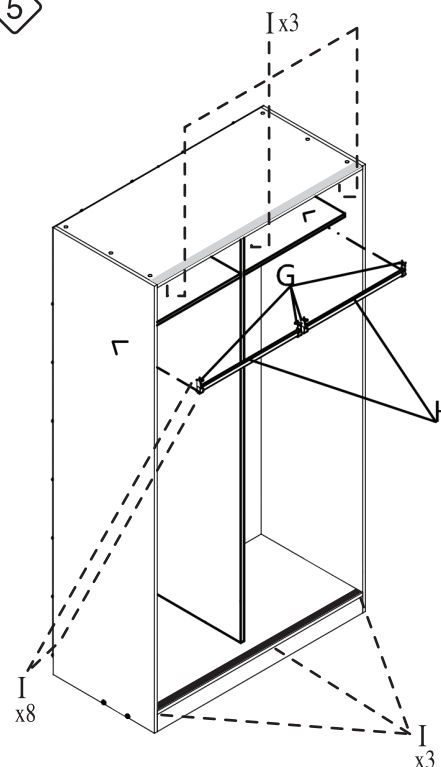
STEP

4



STEP

5



COMPLETE