

2 Door Pantry Slim Cupboard

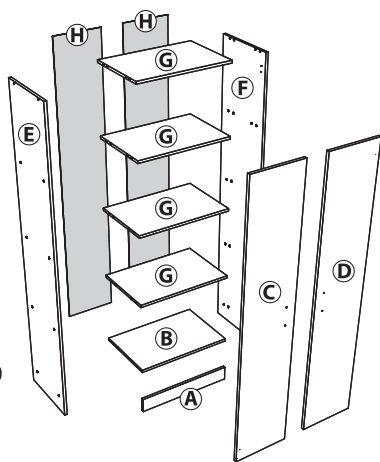
ASSEMBLY INSTRUCTIONS PAGE 1

(ASSEMBLE ON A LEVEL, CLEAN SURFACE)



PANEL ID:

- A** - KICK BOARD
- B** - BASE
- C** - LEFT DOOR
- D** - RIGHT DOOR
- E** - LEFT SIDE
- F** - RIGHT SIDE
- G** - SHELF / TOP (X4)
- H** - BACKBOARDS (x2)



No	DIAGRAM / DESCRIPTION	Qty
1	UNITAR SCREW	20
2	WOOD DOWELS	24
3	HANDLE	2
4	M4 SCREW (18mm)	4
5	DOOR HINGE	6
6	M3.5 SCREW (16mm)	36
7	NAIL LEG STUD	4
8	BACKBOARD NAILS	40
9	UNITAR SCREW CAP	20
10	ALLEN KEY	1
11	ANTI TIP BRACKET	1
12	WALL PLUG	2
13	M4 SCREW (30mm)	2
14	M3.5 SCREW (16mm)	2

FOR ANTI TIP BRACKET

BLACK-BROWN FINISH

180cm H 60cm W 40cm D

CARE CAUTION: TO CLEAN PARTICLE BOARD WITH MELAMINE FINISH, PLEASE CLEAN WITH A SOFT, DRY CLOTH. DO NOT USE CHEMICALS OR DETERGENTS AND AVOID WATER AND DIRECT SUNLIGHT.

WARNING: Tip-over hazard.



WARNING: It is **STRONGLY RECOMMENDED** that you **ANCHOR** this product by installing the **ANTI-TIP BRACKET** and **SCREWS** (Step 11) and **ATTACHING** the *Faulkner 2 Door Pantry Slim Cupboard* to a **SOLID, FLAT WALL**.

DANGER: TOPPLING FURNITURE CAN CAUSE SERIOUS INJURIES AND DEATH.

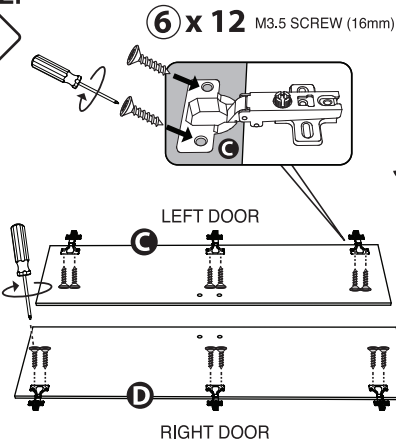
IMPORTANT: Regularly check that Anti-Tip Bracket and Screws are securely maintained. Stability of tall items may be affected by thick carpets and uneven floors, or uneven and unstable walls.

SAFETY: Carefully check for any electrical wires or plumbing inside the wall before drilling any holes (If unsure, contact a qualified Tradesman).

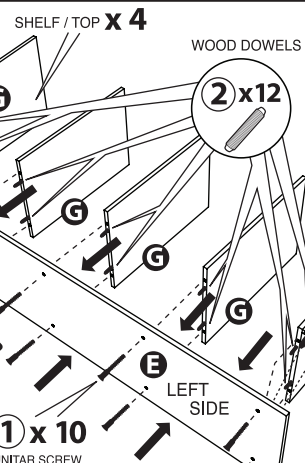
Walls are constructed from different materials (i.e: Masonry = Solid Wall, Plasterboard = Hollow Wall) so it is important to use appropriate wall fixings and screws for your wall type. Your local Hardware Store will stock the necessary extra screws, drill bits and fixings, and can offer suitable advice if needed. **DO NOT** place TV Sets or other heavy objects on top of this Unit. **DO NOT** overload the shelves of this Unit. **NEVER** allow children or adults to climb or hang on this Unit.

ASSEMBLY:

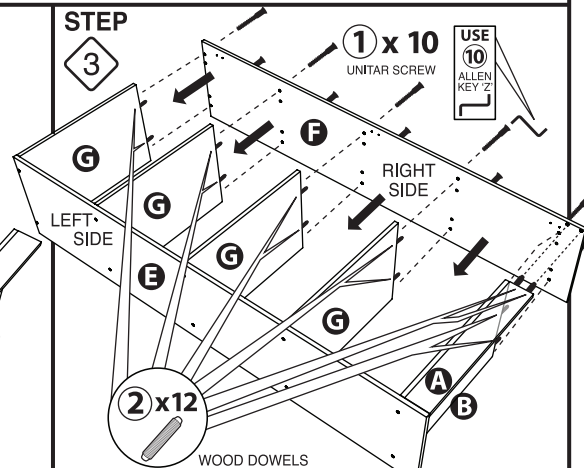
STEP 1



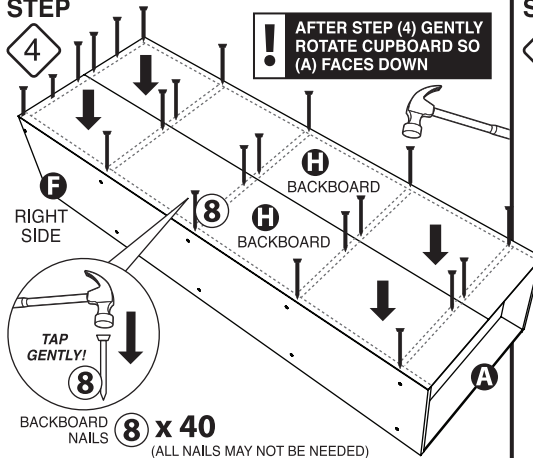
STEP 2



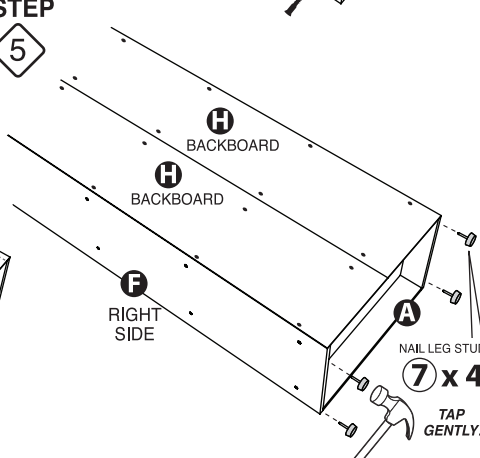
STEP 3



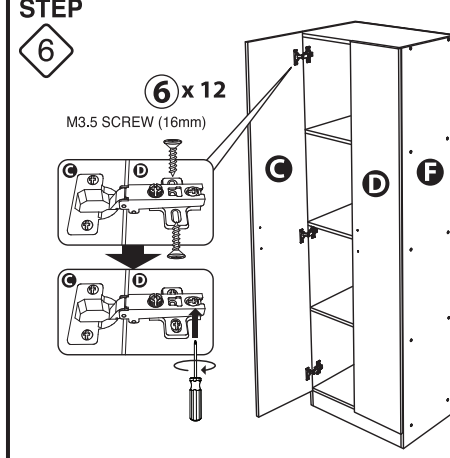
STEP 4



STEP 5



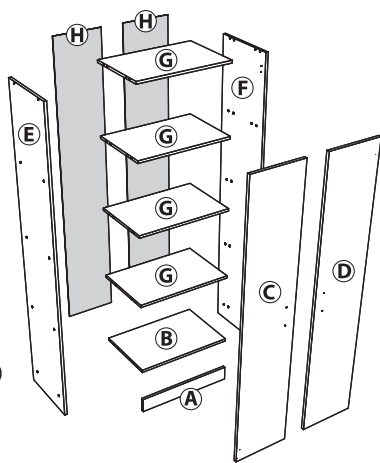
STEP 6



2 Door Pantry Slim Cupboard

ASSEMBLY INSTRUCTIONS PAGE 2

(ASSEMBLE ON A LEVEL, CLEAN SURFACE)



PANEL ID:

- A** - KICK BOARD
- B** - BASE
- C** - LEFT DOOR
- D** - RIGHT DOOR
- E** - LEFT SIDE
- F** - RIGHT SIDE
- G** - SHELF / TOP (X4)
- H** - BACKBOARDS (x2)

No	DIAGRAM / DESCRIPTION	Qty
1	UNITAR SCREW	20
2	WOOD DOWELS	24
3	HANDLE	2
4	M4 SCREW (18mm)	4
5	DOOR HINGE	6
6	M3.5 SCREW (16mm)	36
7	NAIL LEG STUD	4
8	BACKBOARD NAILS	40
9	UNITAR SCREW CAP	20
10	ALLEN KEY	1
11	ANTI TIP BRACKET	1
12	WALL PLUG	2
13	M4 SCREW (30mm)	2
14	M3.5 SCREW (16mm)	2

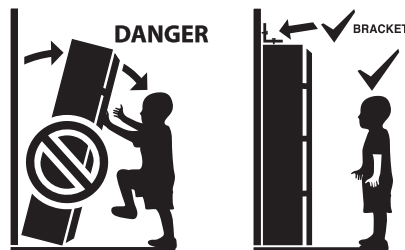
FOR ANTI TIP BRACKET

BLACK-BROWN FINISH

180cm H 60cm W 40cm D

CARE CAUTION: TO CLEAN PARTICLE BOARD WITH MELAMINE FINISH, PLEASE CLEAN WITH A SOFT, DRY CLOTH. DO NOT USE CHEMICALS OR DETERGENTS AND AVOID WATER AND DIRECT SUNLIGHT.

WARNING: Tip-over hazard.



WARNING: It is **STRONGLY RECOMMENDED** that you **ANCHOR** this product by installing the **ANTI-TIP BRACKET** and **SCREWS** (Step 11) and **ATTACHING** the *Faulkner 2 Door Pantry Slim Cupboard* to a **SOLID, FLAT WALL**.

DANGER: TOPPLING FURNITURE CAN CAUSE SERIOUS INJURIES AND DEATH.

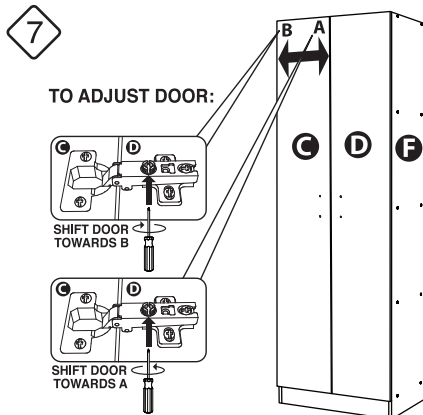
IMPORTANT: Regularly check that Anti-Tip Bracket and Screws are securely maintained. Stability of tall items may be affected by thick carpets and uneven floors, or uneven and unstable walls.

SAFETY: Carefully check for any electrical wires or plumbing inside the wall before drilling any holes (If unsure, contact a qualified Tradesman).

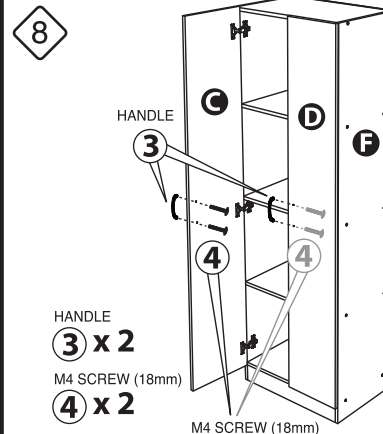
Walls are constructed from different materials (i.e: Masonry = Solid Wall, Plasterboard = Hollow Wall) so it is important to use appropriate wall fixings and screws for your wall type. Your local Hardware Store will stock the necessary extra screws, drill bits and fixings, and can offer suitable advice if needed. **DO NOT** place TV Sets or other heavy objects on top of this Unit. **DO NOT** overload the shelves of this Unit. **NEVER** allow children or adults to climb or hang on this Unit.

ASSEMBLY:

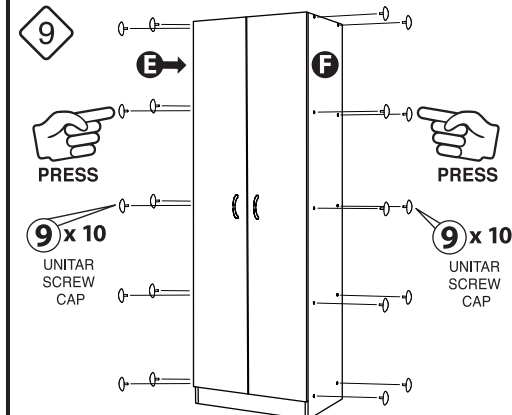
STEP 7



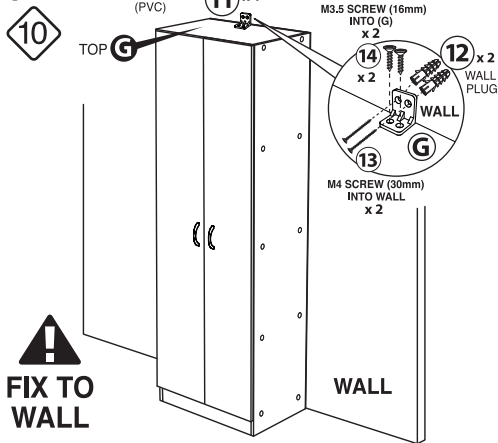
STEP 8



STEP 9



STEP 10



COMPLETE ✓