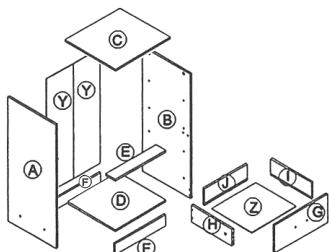


4 Drawer Unit

ASSEMBLY INSTRUCTIONS PAGE 1
(ASSEMBLE ON A LEVEL, CLEAN SURFACE)

PANELS:



No	DIAGRAM / DESCRIPTION	Qty
1	UNITAR SCREW (M6.3 x 40mm)	6
2	ALLEN KEY 'Z'	1
3	MOONSHAPED METAL HANDLE SCREW (M4 x 20mm)	4
4	CAM	12
5	CAM BOLT	12
6	WOOD DOWEL (8 x 40mm)	26
7	NAIL LEG STUD	4
8	NAIL	30
9	UNITAR SCREW CAP	6
10	DRAWER SLIDE (CL) (350)	4
	DRAWER SLIDE (CR) (350)	4
11	DRAWER SLIDE (DL) (350)	4
	DRAWER SLIDE (DR) (350)	4
12	EURO SCREW (M6 x 12mm)	16
13	CSK SCREW (M3.5 x 16mm)	16
14	CSK SCREW (M4.7 x 38mm)	16
15	ANTI-TIP BRACKET	1
16	WALL PLUG	2
17	SCREW (M4 x 30mm)	2
18	SCREW (M3.5 x 16mm)	2

WHITE MATT FINISH

90cm H | 45cm W | 41cm D

CARE CAUTION: TO CLEAN PARTICLE BOARD WITH MELAMINE FINISH, PLEASE CLEAN WITH A SOFT, DRY CLOTH. DO NOT USE CHEMICALS OR DETERGENTS AND AVOID WATER AND DIRECT SUNLIGHT.

WARNING: Tip-over hazard.



WARNING: It is **STRONGLY RECOMMENDED** that you **ANCHOR** this product by installing the **ANTI-TIP BRACKET** and **SCREWS** (Step 12) and **ATTACHING** the *Faulkner 4 Drawer Unit* to a **SOLID, FLAT WALL**.

DANGER: TOPPLING FURNITURE CAN CAUSE SERIOUS INJURIES AND DEATH.

IMPORTANT: Regularly check that Anti-Tip Bracket and Screws are securely maintained. Stability of tall items may be affected by thick carpets and uneven floors, or uneven and unstable walls.

SAFETY: Carefully check for any electrical wires or plumbing inside the wall before drilling any holes (If unsure, contact a qualified Tradesman).

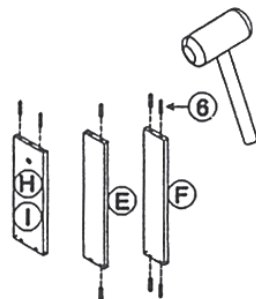
Walls are constructed from different materials (i.e: Masonry = Solid Wall, Plasterboard = Hollow Wall) so it is important to use appropriate wall fixings and screws for your wall type. Your local Hardware Store will stock the necessary extra screws, drill bits and fixings, and can offer suitable advice if needed. **DO NOT** place TV Sets or other heavy objects on top of this Unit. **DO NOT** overload the drawers of this Unit. **NEVER** allow children or adults to climb or hang on this Unit.

ASSEMBLY:

STEP

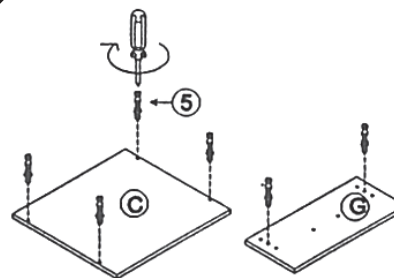
1

POSITION WOOD DOWEL. START ASSEMBLING BY FIXING WOOD DOWELS TO PANEL E, F, H & I.



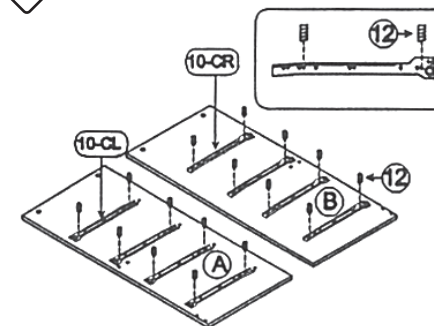
STEP

2



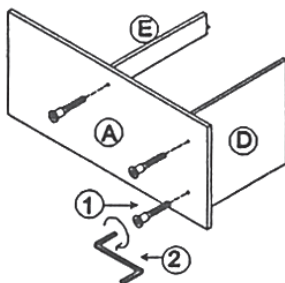
STEP

3



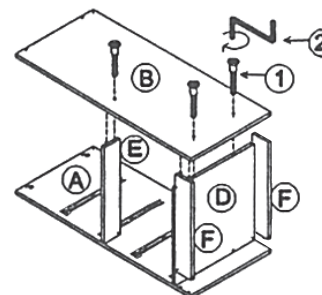
STEP

4



STEP

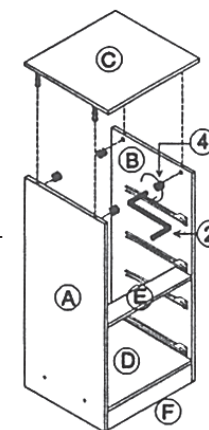
5



STEP

6

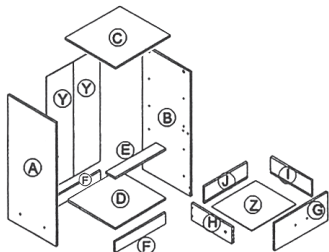
PRESS CAM TO THE BOTTOM OF THE HOLE AND MAKE SURE THE ARROW ON TOP OF EACH CAM IS POINTING TOWARD THE CAM BOLT HOLE. TURN CAM CLOCKWISE TO LOCK THE CAM TO THE CAM BOLT.



4 Drawer Unit

ASSEMBLY INSTRUCTIONS PAGE 2
(ASSEMBLE ON A LEVEL, CLEAN SURFACE)

PANELS:



No	DIAGRAM / DESCRIPTION	Qty
1	UNITAR SCREW (M6.3 x 40mm)	6
2	ALLEN KEY 'Z'	1
3	MOONSHAPED METAL HANDLE SCREW (M4 x 20mm)	4
4	CAM	8
5	CAM BOLT	12
6	WOOD DOWEL (8 x 40mm)	26
7	NAIL LEG STUD	4
8	NAIL	30
9	UNITAR SCREW CAP	6
10	DRAWER SLIDE (CL) (350)	4
11	DRAWER SLIDE (CR) (350)	4
12	DRAWER SLIDE (DL) (350)	4
13	DRAWER SLIDE (DR) (350)	4
14	EURO SCREW (M6 x 12mm)	16
15	CSK SCREW (M3.5 x 16mm)	16
16	CSK SCREW (M4.7 x 38mm)	16
17	ANTI-TIP BRACKET	1
18	WALL PLUG	2
19	SCREW (M4 x 30mm)	2
20	SCREW (M3.5 x 16mm)	2

WHITE MATT FINISH

90cm H | 45cm W | 41cm D

CARE CAUTION: TO CLEAN PARTICLE BOARD WITH MELAMINE FINISH, PLEASE CLEAN WITH A SOFT, DRY CLOTH. DO NOT USE CHEMICALS OR DETERGENTS AND AVOID WATER AND DIRECT SUNLIGHT.

WARNING: Tip-over hazard.



WARNING: It is **STRONGLY RECOMMENDED** that you **ANCHOR** this product by installing the **ANTI-TIP BRACKET** and **SCREWS** (Step 12) and **ATTACHING** the *Faulkner 4 Drawer Unit* to a **SOLID, FLAT WALL**.

DANGER: TOPPLING FURNITURE CAN CAUSE SERIOUS INJURIES AND DEATH.

IMPORTANT: Regularly check that Anti-Tip Bracket and Screws are securely maintained. Stability of tall items may be affected by thick carpets and uneven floors, or uneven and unstable walls.

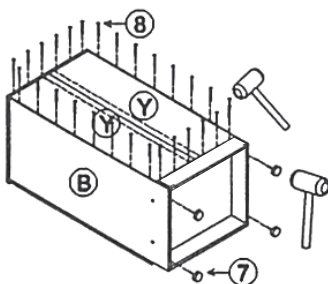
SAFETY: Carefully check for any electrical wires or plumbing inside the wall before drilling any holes (If unsure, contact a qualified Tradesman).

Walls are constructed from different materials (i.e: Masonry = Solid Wall, Plasterboard = Hollow Wall) so it is important to use appropriate wall fixings and screws for your wall type. Your local Hardware Store will stock the necessary extra screws, drill bits and fixings, and can offer suitable advice if needed. **DO NOT** place TV Sets or other heavy objects on top of this Unit. **DO NOT** overload the drawers of this Unit. **NEVER** allow children or adults to climb or hang on this Unit.

ASSEMBLY: (cont)

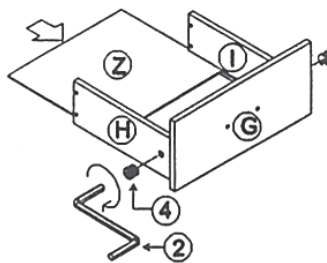
STEP

7



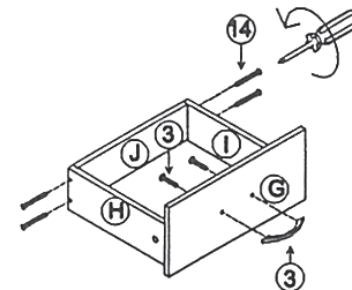
STEP

8



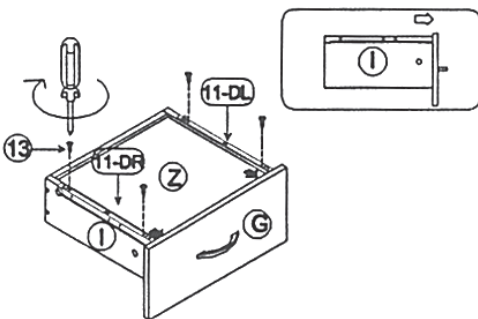
STEP

9



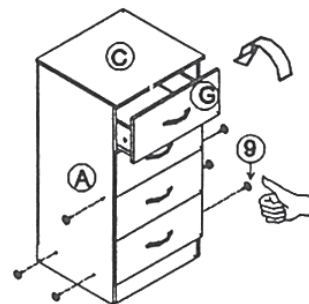
STEP

10



STEP

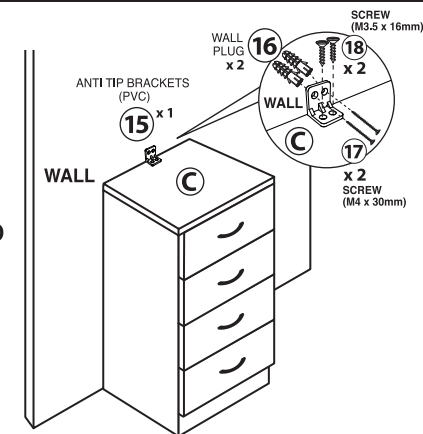
11



STEP

12

FIX TO WALL



COMPLETE