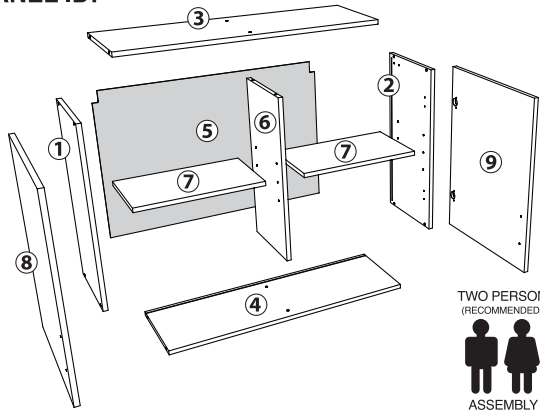


2 Door Wall Cupboard

ASSEMBLY INSTRUCTIONS PAGE 1

(ASSEMBLE ON A LEVEL, CLEAN SURFACE)

PANEL ID:



- ① - LEFT SIDE ④ - BASE ⑦ - SHELVES (X2)
- ② - RIGHT SIDE ⑤ - BACKBOARD ⑧ - LEFT DOOR
- ③ - TOP ⑥ - MIDDLE UPRIGHT ⑨ - RIGHT DOOR

PARTS ID:

No	DIAGRAM / DESCRIPTION	Qty
A	DOOR HINGE	4
B	UNITAR SCREW	12
C	WALL PLUG	4
D	SCREW (M3.5 x 16mm)	16
E	SCREW (M3.5 x 30mm)	8
F	SHELF CLIP	8
G	HANGER BRACKET	2
H	WALL BRACKET	2
I	MOONSHAPE DOOR HANDLE	2
	SCREW (M4 x 20mm)	4
J	ALLEN KEY	1
K	UNITAR SCREW CAP	12

⚠ WARNING: It is **STRONGLY RECOMMENDED** that you **ANCHOR** this product by purchasing and installing extra **ANTI TIP BRACKETS** to this unit as well as the supplied **HANGER BRACKETS** (Step 1) and **WALL BRACKETS** (Step 4) and **ATTACHING** this *Faulkner 2 Door Wall Cupboard* to a **SOLID, FLAT WALL**.

⚠ DANGER: **TOPPLING FURNITURE CAN CAUSE SERIOUS INJURIES AND DEATH.**

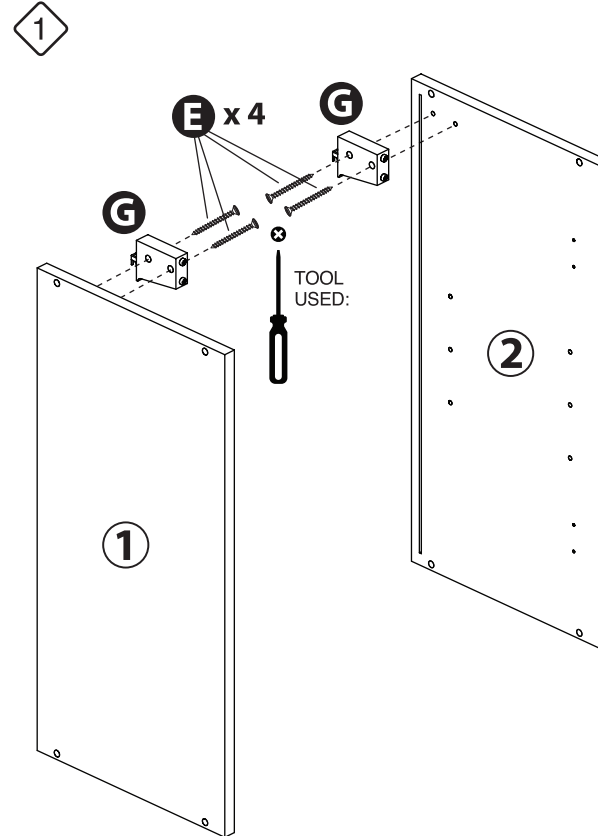
IMPORTANT: Regularly check that Hanger and Wall Bracket Anchors are securely maintained.

SAFETY: Carefully check for any electrical wires or plumbing inside the wall before drilling any holes (If unsure, contact a qualified Tradesman).

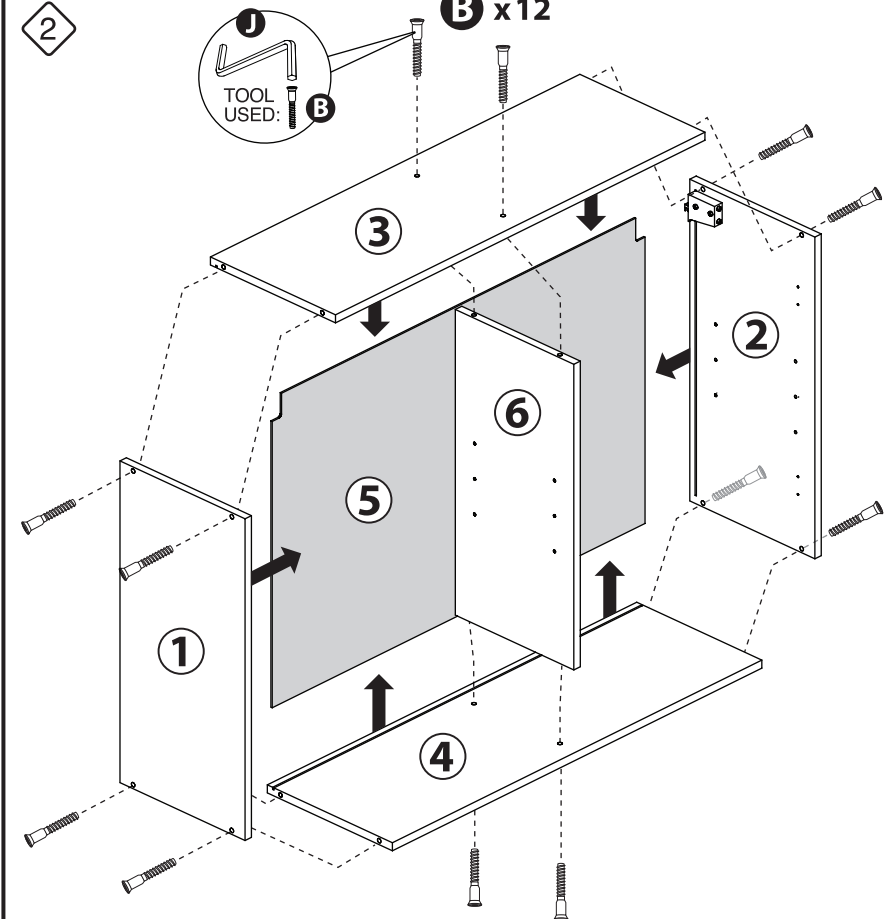
Walls are constructed from different materials (i.e: Masonry = Solid Wall, Plasterboard = Hollow Wall) so it is important that use appropriate wall fixings and screws for your wall type. Your local Hardware Store will stock the necessary extra screws, drill bits and fixings, and can offer suitable advice if needed. **DO NOT** place heavy objects on top of this Unit. **DO NOT** overload the shelves of this Unit. **NEVER** allow children or adults to climb or hang on this Unit.

ASSEMBLY:

STEP 1



STEP 2

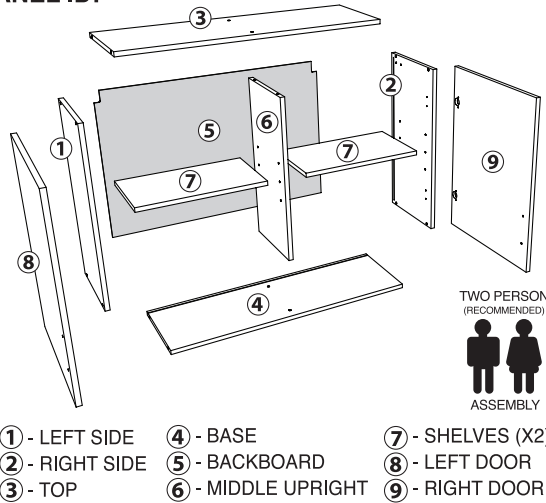


2 Door Wall Cupboard

ASSEMBLY INSTRUCTIONS PAGE 2

(ASSEMBLE ON A LEVEL, CLEAN SURFACE)

PANEL ID:



- ① - LEFT SIDE ④ - BASE ⑦ - SHELVES (X2)
- ② - RIGHT SIDE ⑤ - BACKBOARD ⑧ - LEFT DOOR
- ③ - TOP ⑥ - MIDDLE UPRIGHT ⑨ - RIGHT DOOR

PARTS ID:

No	DIAGRAM / DESCRIPTION	Qty
A	DOOR HINGE	4
B	UNITAR SCREW	12
C	WALL PLUG	4
D	SCREW (M3.5 x 16mm)	16
E	SCREW (M3.5 x 30mm)	8
F	SHELF CLIP	8
G	HANGER BRACKET	2
H	WALL BRACKET	2
I	MOONSHAPE DOOR HANDLE	2
J	ALLEN KEY	1
K	UNITAR SCREW CAP	12

⚠ WARNING: It is **STRONGLY RECOMMENDED** that you **ANCHOR** this product by purchasing and installing extra **ANTI TIP BRACKETS** to this unit as well as the supplied **HANGER BRACKETS** (Step 1) and **WALL BRACKETS** (Step 4) and **ATTACHING** this *Faulkner 2 Door Wall Cupboard* to a **SOLID, FLAT WALL**.

⚠ DANGER: **TOPPLING FURNITURE CAN CAUSE SERIOUS INJURIES AND DEATH.**

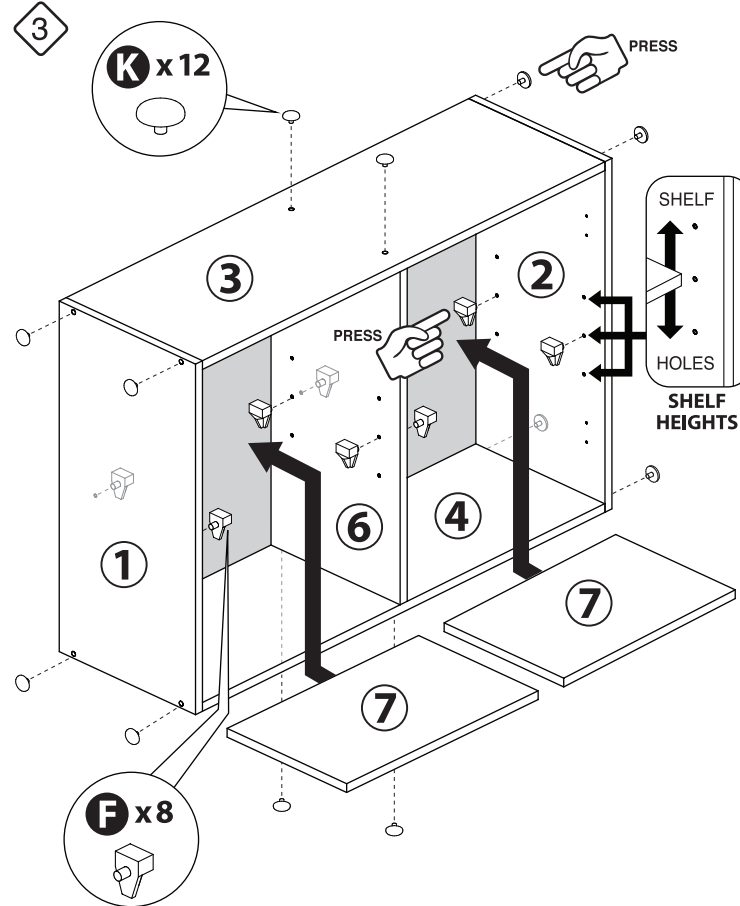
IMPORTANT: Regularly check that Hanger and Wall Bracket Anchors are securely maintained.

SAFETY: Carefully check for any electrical wires or plumbing inside the wall before drilling any holes (If unsure, contact a qualified Tradesman).

Walls are constructed from different materials (i.e: Masonry = Solid Wall, Plasterboard = Hollow Wall) so it is important that use appropriate wall fixings and screws for your wall type. Your local Hardware Store will stock the necessary extra screws, drill bits and fixings, and can offer suitable advice if needed. **DO NOT** place heavy objects on top of this Unit. **DO NOT** overload the shelves of this Unit. **NEVER** allow children or adults to climb or hang on this Unit.

ASSEMBLY:

STEP 3



STEP 4

